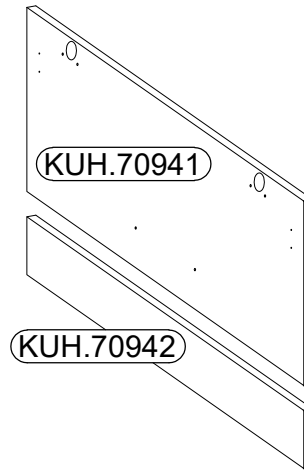
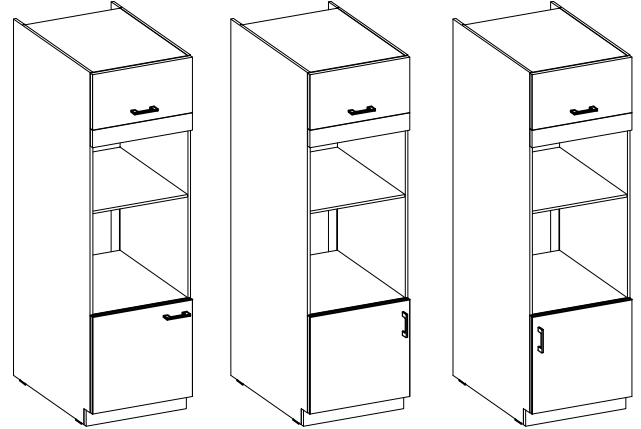
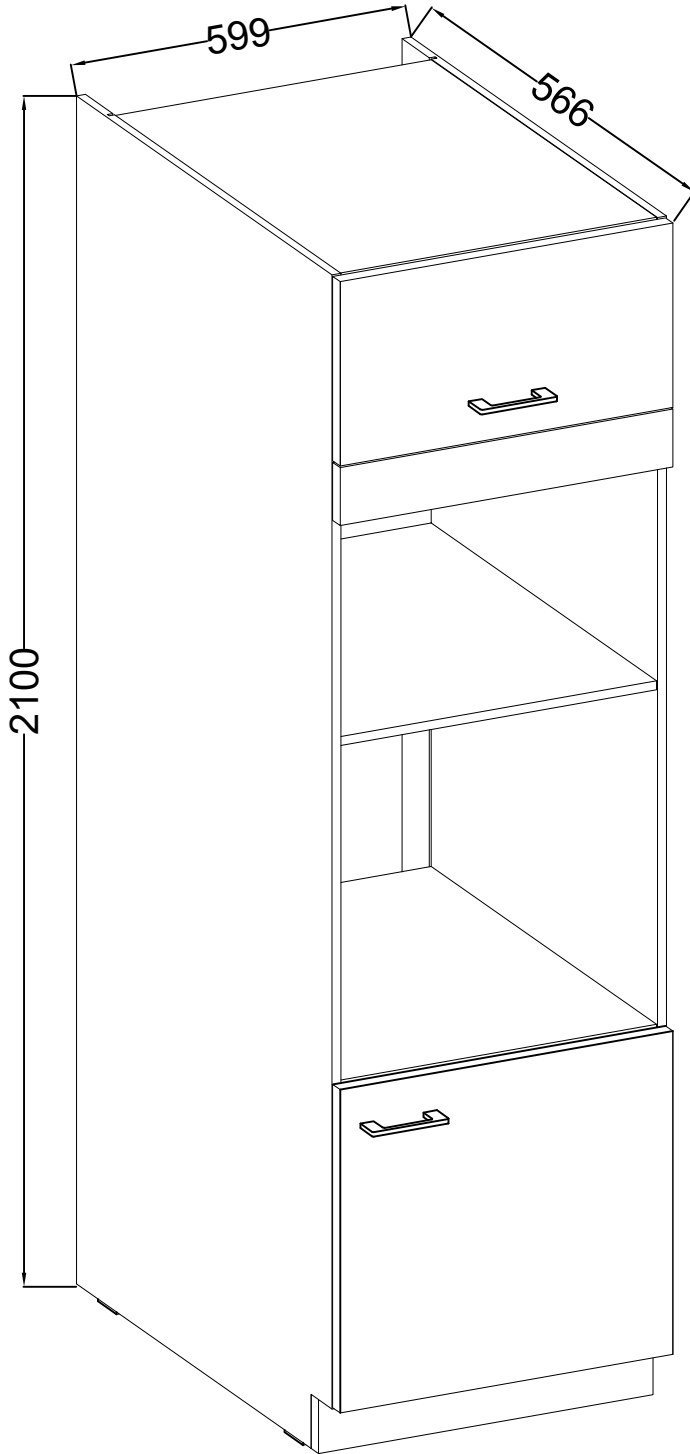
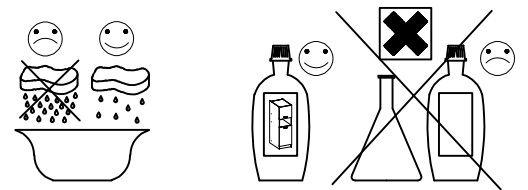
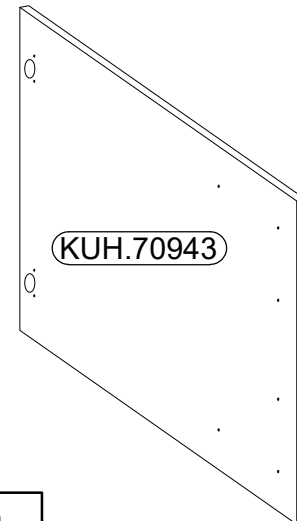




60 DPM-2100 2F  
FRONT



KUH.70942

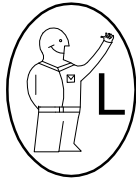


KUH.70943

Ø4.0x30mm	
	
R2	S
4	2

Ersatzteil Nummer	Dimension
KUH.70941	325x596x16
KUH.70942	102x596x16
KUH.70943	570x596x16

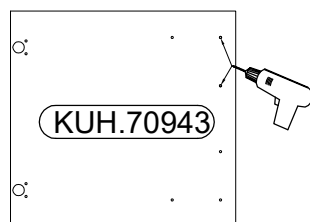
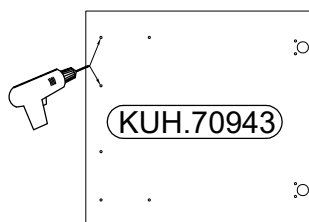
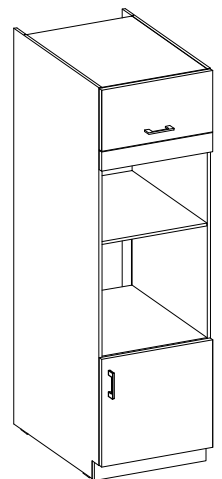
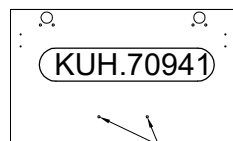
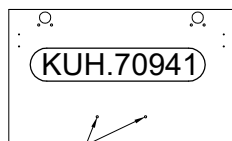
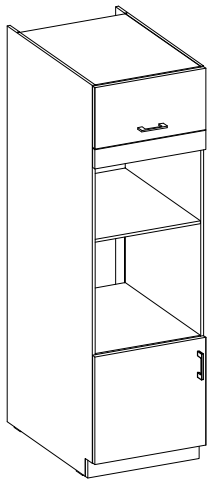
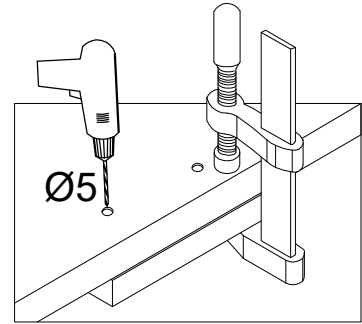
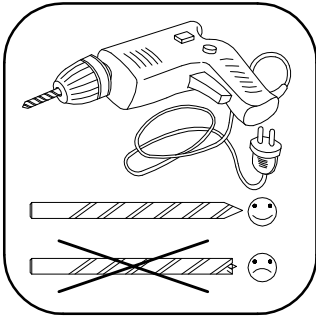
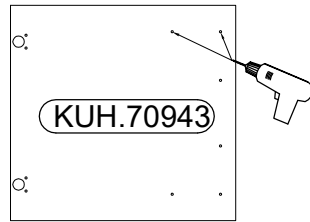
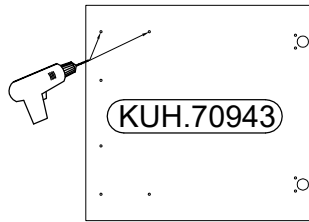
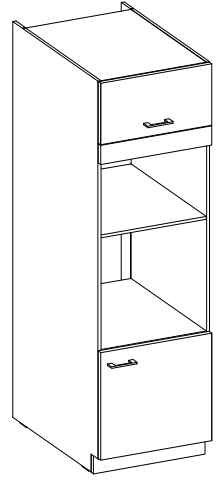
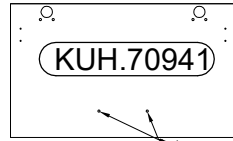
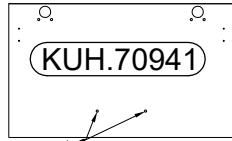
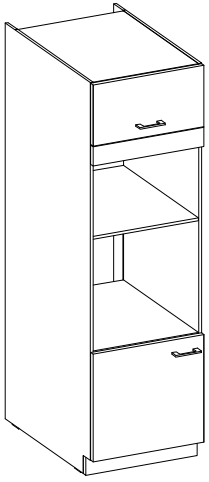
ISM-KUH-01382





LEFT

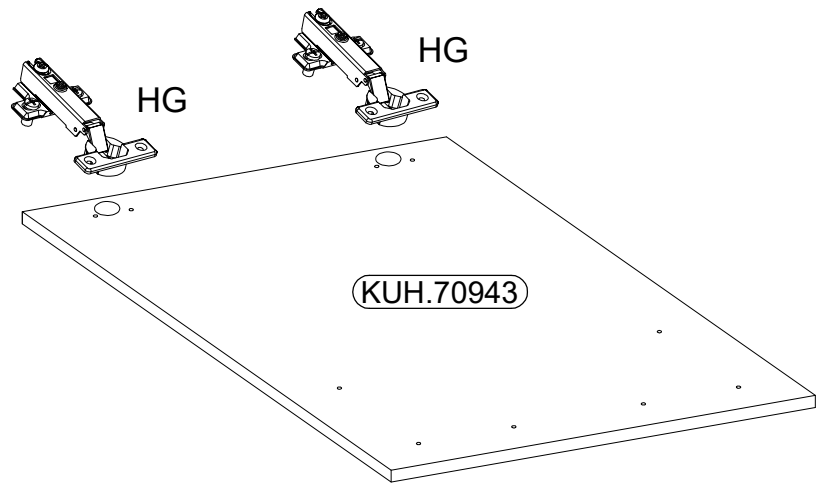
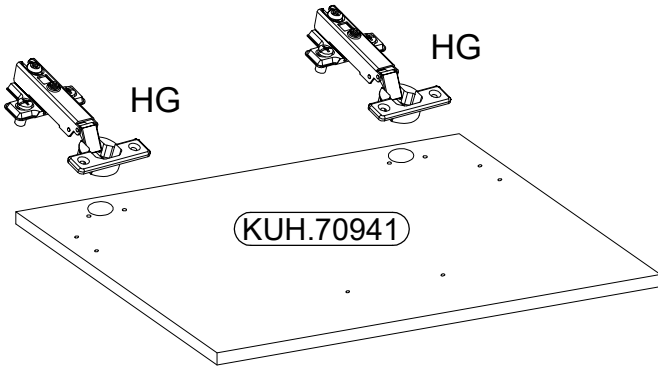
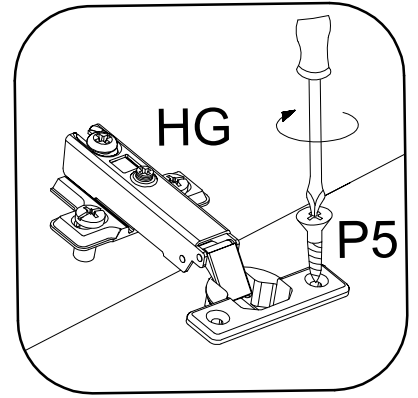


RIGHT

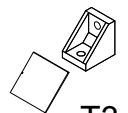



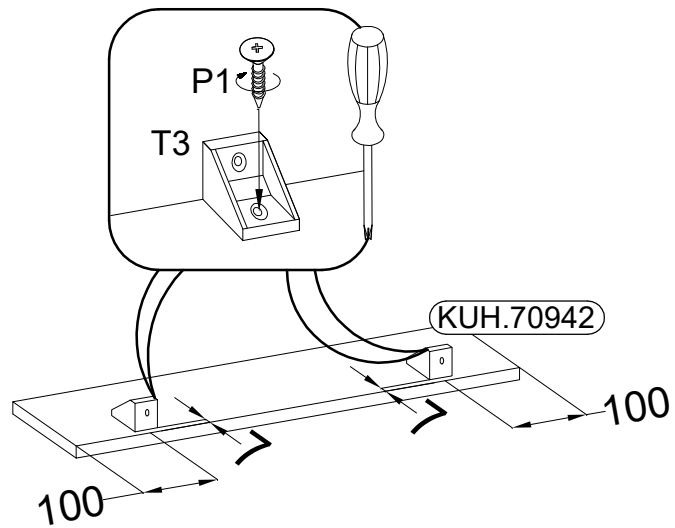
# 2

$\text{Ø}35/0\text{mm}$	$\text{Ø}3.5 \times 13\text{mm}$
 [CD] HG	 P5
4	8



# 3

	$\text{Ø}4.0 \times 16\text{mm}$
T3	 P1
2	2



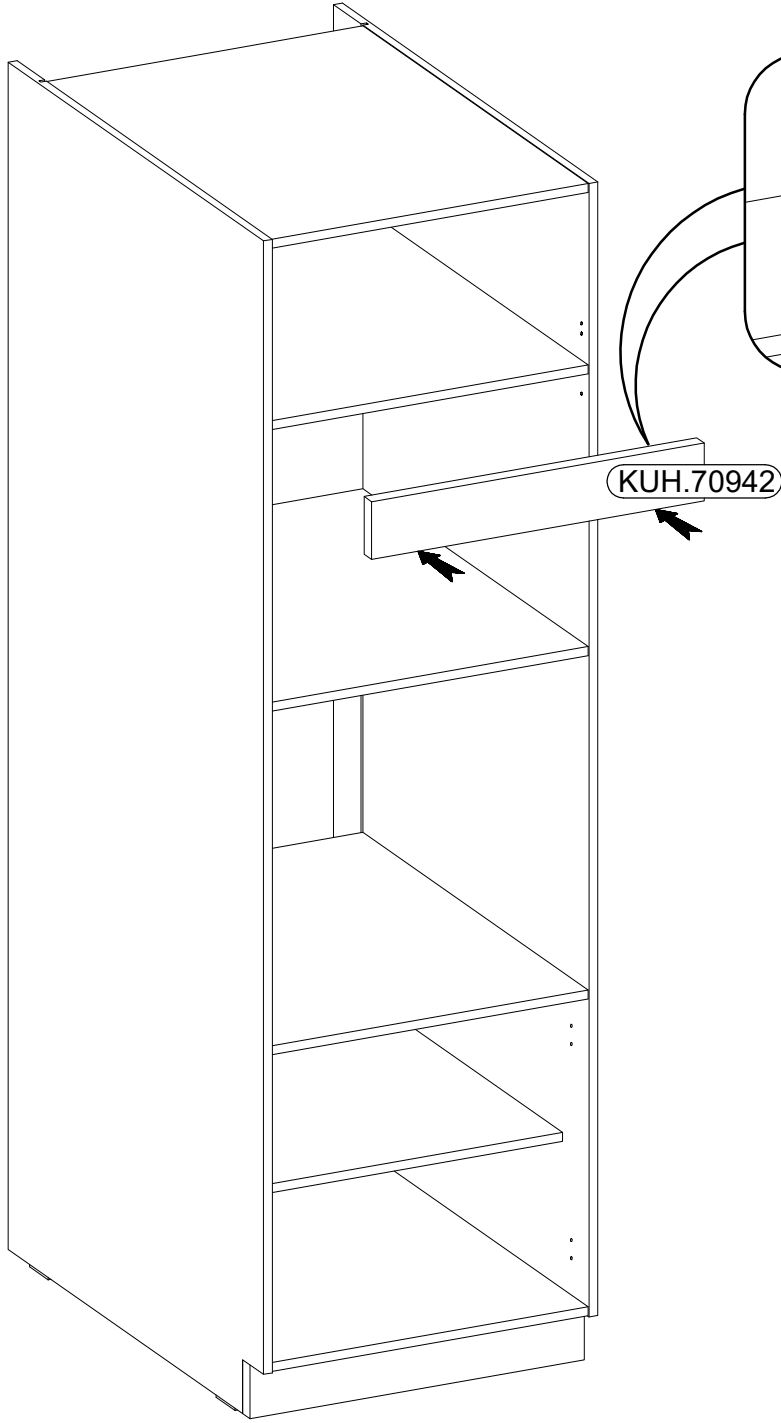
4

Ø4.0x16mm

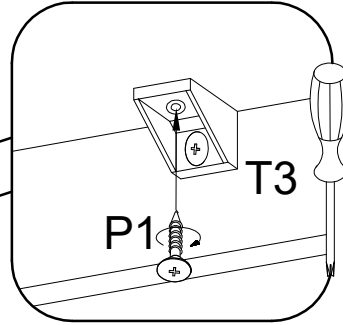


P1

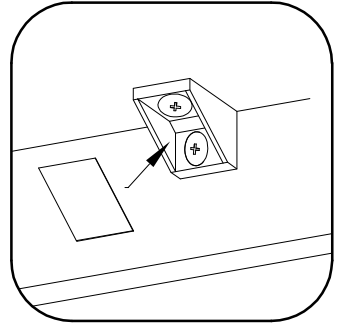
2



1.


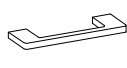
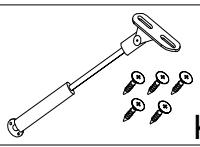



2.



5

Ø4.0x30mm

 R2	 S	 K24	 J5
4	2	2	2

